



MAIN FEATURES	USB <u>3</u>-in-1	USB <u>6</u>-in-1	USB <u>9</u>-in-1
Stylish zinc die cast metal base, mini-XLR connector, built-in Speaker (except 3-in-1), USB ports, LED, digital control buttons and SpeechControl Application Trial			
1 USB (ver. 2.0 & 1.1) interface with 3.5 mm Mic-in and Sound out ports with Volume control and special 2.4m shielded cable (Gold connectors)	 <p><i>(Optional FlexyMike headset mic available)</i></p>	 <p><i>(Optional FlexyMike headset mic available))</i></p>	 <p><i>(Optional FlexyMike headset mic available)</i></p>
2 Detachable long boom with hi-fi mini-XLR connectors	<p style="text-align: center;">X <i>(38 cm – 15”)</i></p>	<p style="text-align: center;">X <i>(About 48 cm – 19”)</i></p>	<p style="text-align: center;">X <i>(Telescopic, from 38 cm to 55 cm – 15” to 22”)</i></p>
3 Speech Equaliser/Normal mode for optimum performance	<p style="text-align: center;">X <i>(Green/Blue LEDs)</i></p>	<p style="text-align: center;">X <i>(Green/Blue LEDs)</i></p>	<p style="text-align: center;">X <i>(Green/Blue LEDs)</i></p>
4 Integrated high quality Speaker in the unit base	<p style="text-align: center;">- <i>(Bundled Monaural earpiece with 'L' shape connector)</i></p>	<p style="text-align: center;">X <i>(3 Watt)</i></p>	<p style="text-align: center;">X <i>(3 Watt)</i></p>
5 Foot pedal port for full microphone control	<p style="text-align: center;">-</p>	<p style="text-align: center;">X <i>Optional pedal</i></p>	<p style="text-align: center;">X <i>Optional pedal</i></p>
6 Additional USB ports to connect other devices	<p style="text-align: center;">-</p>	<p style="text-align: center;">X <i>(1 in the Back)</i></p>	<p style="text-align: center;">X <i>(1 in the Back 1 on Top)</i></p>
7 Integrated SD/SDHC/MMC/MS/MSPro/MSPro-HG card reader	<p style="text-align: center;">-</p>	<p style="text-align: center;">-</p>	<p style="text-align: center;">X <i>(On Top of unit)</i></p>
8 Programmable Fkey button to control other Apps.	<p style="text-align: center;">-</p>	<p style="text-align: center;">-</p>	<p style="text-align: center;">X</p>
9 Adjustable and Telescopic microphone boom 38-55 cm (15"-19")	<p style="text-align: center;">- <i>Optional</i></p>	<p style="text-align: center;">- <i>Optional</i></p>	<p style="text-align: center;">X <i>(Included)</i></p>

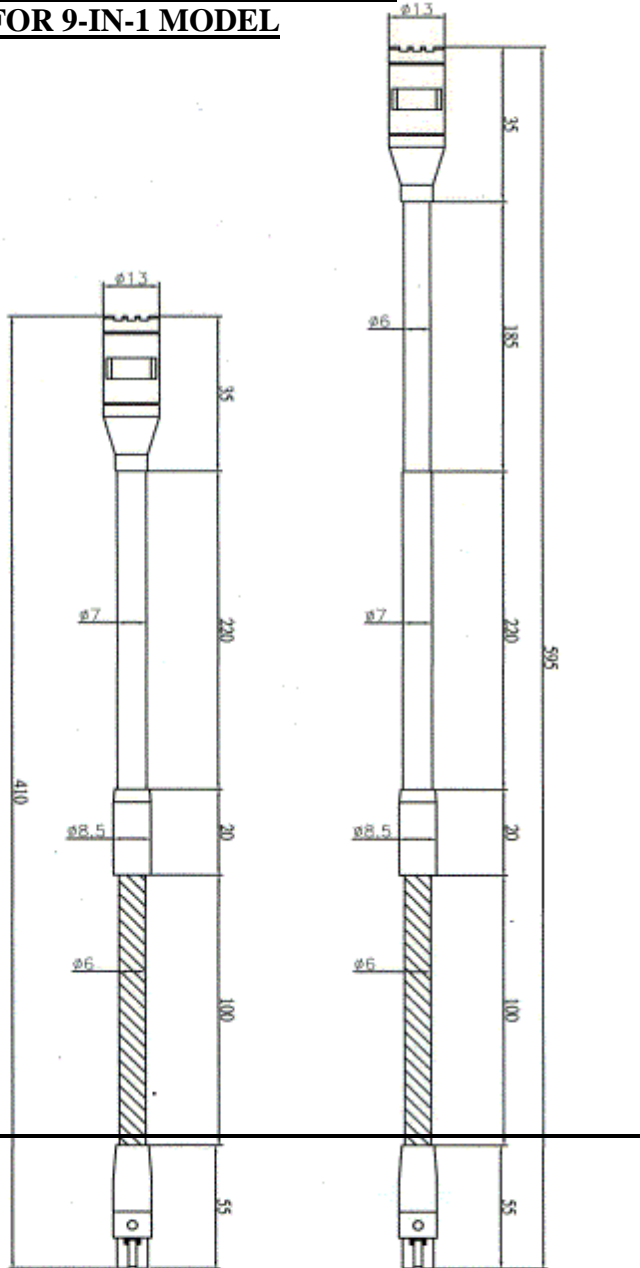
[Industry first features in blue color – Visualize the images in Printing View mode!](#)

OTHER KEY FEATURES	USB <u>3</u>-in-1	USB <u>6</u>-in-1	USB <u>9</u>-in-1
Windows/MacOS/Linux compatible	X	X	X
DIP switch to select Push Button Mode	X <i>(Always On, Push to Talk and Push to Lock)</i>	X <i>(Always On, Push to Talk and Push to Lock)</i>	X <i>(Always On, Push to Talk and Push to Lock)</i>
Push Button remains 'live' even when restarting the PC	X <i>(Always On Mode)</i>	X <i>(Always On Mode)</i>	X <i>(Always On Mode)</i>
Integrated Speech Equaliser mode substantially increases S/N, dictation range and accuracy in speech recognition	X <i>(Recommended for NaturallySpeaking. About 32 dB at 25 cm (10") with the Audio Set Up Wizard!)</i>	X <i>(Recommended for NaturallySpeaking. About 32 dB at 25 cm (10") with the Audio Set Up Wizard!)</i>	X <i>(Recommended for NaturallySpeaking. About 33 dB at 25 cm (10") with the Audio Set Up Wizard!)</i>
Normal mode for Voice and Music recording and Wideband High Definition VoIP	X	X	X
Connecting an external headset or mic automatically disables the unit microphone	X	X	X
Foot pedal control of microphone for greater control	-	X	X
Telescopic 38-55 cm (15"-19") boom for greater flexibility	- <i>Optional</i>	- <i>Optional</i>	X <i>(Included)</i>
25 cm hyper cardioid Shotgun microphone against noise	<i>Optional</i>	<i>Optional</i>	<i>Optional</i>
Fix-to-table/Wall-mount adapter	- <i>Optional</i>	- <i>Optional</i>	- <i>Optional</i>
Transcription Aid Application Trial	X	X	X
SpeechControl App. Trial (switch on by voice!)	X	X	X
Fits Standard Fedex Box	X	X	X
Warranty (year)	2	2	2
AVAILABILITY	<i>Beginning 09/11</i>	<i>End of 10/2011</i>	<i>End of 11/2011</i>

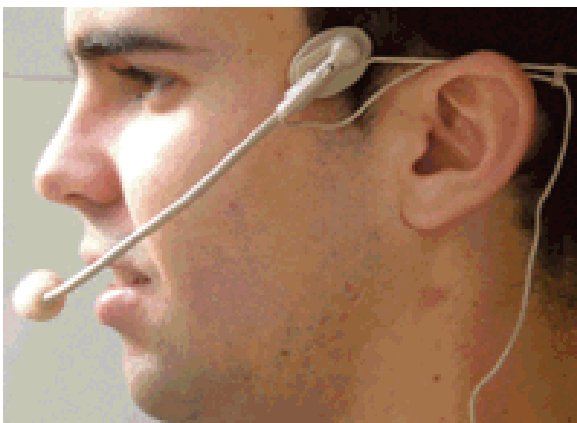
Industry first features in blue color – Visualize the images in Printing View mode!

**INDUSTRY FIRST EXTENDEABLE
BOOM FOR 9-IN-1 MODEL**

③ 9 IN 1 MICROPHONE 595mm(59.5cm)



**OPTIONAL AND EXTREMELY
LIGHT AND COMFORTABLE
FLEXYMIKE BASIC**



**OPTIONAL FOOT PEDAL FOR 6-IN-1
AND 9-IN-1 MODELS**



**MONOARUAL EARSET (INCLUDED
WITH 3-IN-1 MODEL)**



**OPTIONAL FIX-TO-TABLE OR WALL-
MOUNT ADAPTER**

